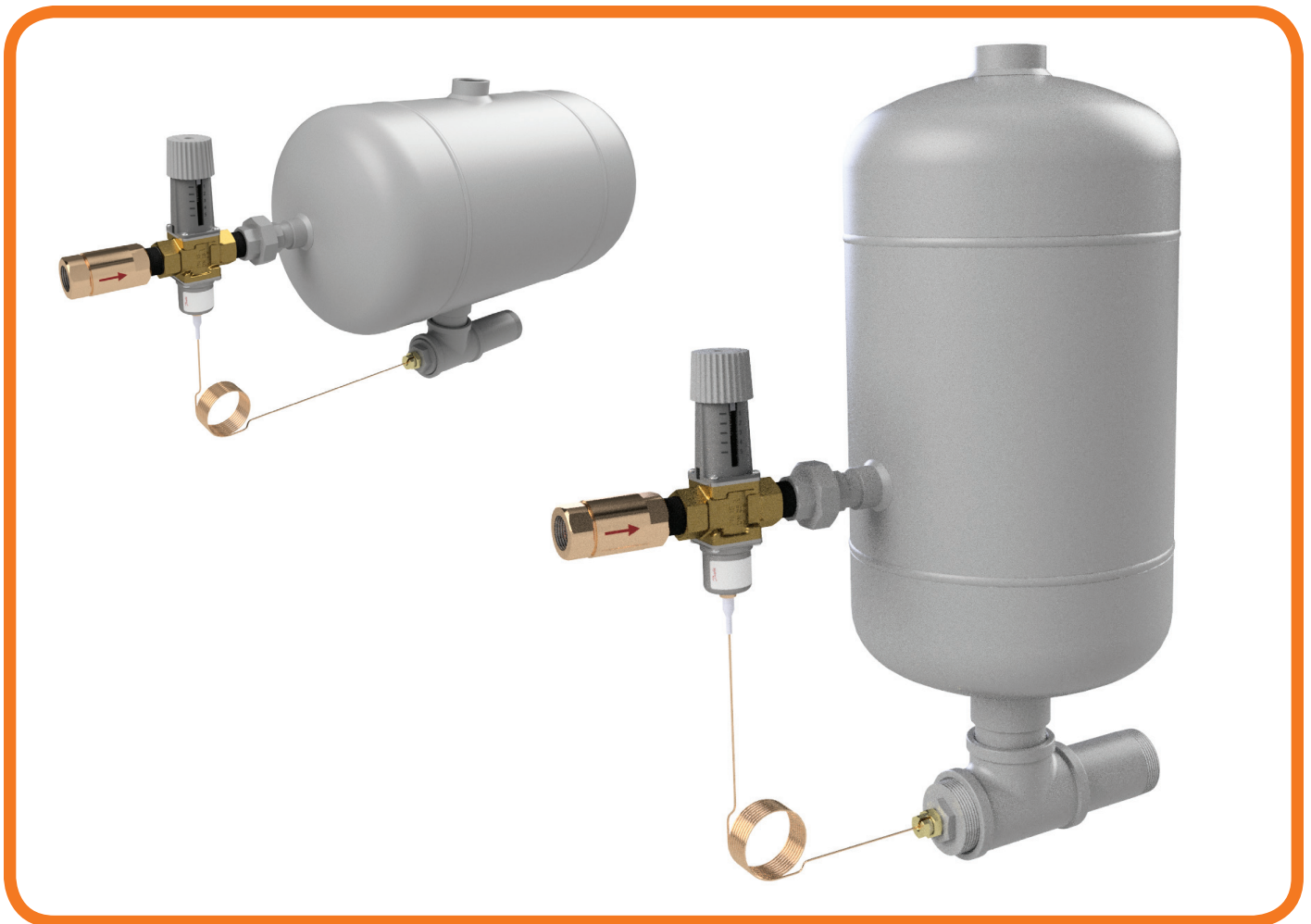


Tank Condensate Coolers

Cemline Tank Condensate After Cooler is designed to cool condensate or hot water.



Cemline Tank Condensate After Coolers are designed to cool condensate or hot water. The tank after cooler package mixes hot water with cold water resulting in liquid temperatures acceptable for municipal sewage and per the local code. This packaged after cooler is perfect to be installed after a flash tank, blow down tank, or condensate receiver as condensate should be flashed before entering the condensate after cooler.

This unit is versatile as it can be supplied in either a horizontal or vertical configuration.

The Tank Condensate After Cooler is supplied with check valve, cooling valve, and thermometer. The self-acting thermostatic cooling valve can be field adjusted to the desired set point between 77°F and 150°F. The valve opens as temperature increases on the bulb.

The vessel is made of carbon steel standard, however can be supplied in stainless steel.

Standard Items

- Tank After Cooler Vessel
- Check Valve
- Cooling Valve (1/2", 3/4", and 1")
- Thermometer

Optional Features

- Stainless Steel Vessel
- Larger Cooling Valve (1 1/4", 1 1/2", or 2")

TAC Series



Sizing Chart

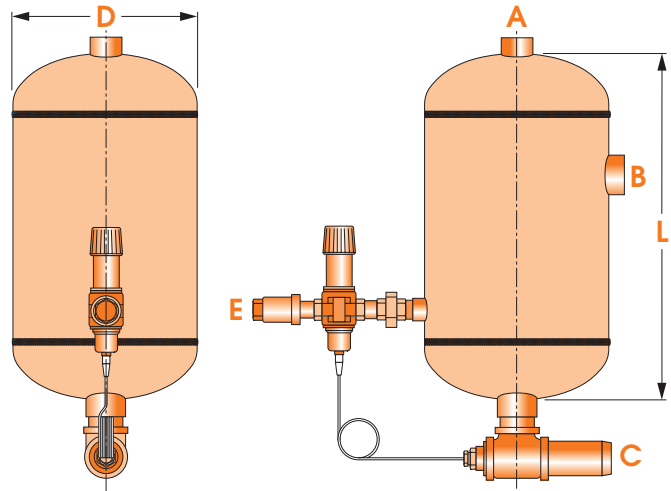
Cooling Valve Size	Cv	Hot Water Temperature							
		180°F		212°F		250°F		300°F	
		Hot Water (GPM)	Total Flow (GPM)	Hot Water (GPM)	Total Flow (GPM)	Hot Water (GPM)	Total Flow (GPM)	Hot Water (GPM)	Total Flow (GPM)
1/2"	2.2	16	23	8	15	5.5	12.5	4	11
3/4"	4.0	30	43	16	29	11	24	7	20
1"	6.4	45	65	25	45	16	36	11	31

The above information is based upon cooling the water to 140°F mixing 50°F cold water and assuming a 10 psi drop across the cooling valve.

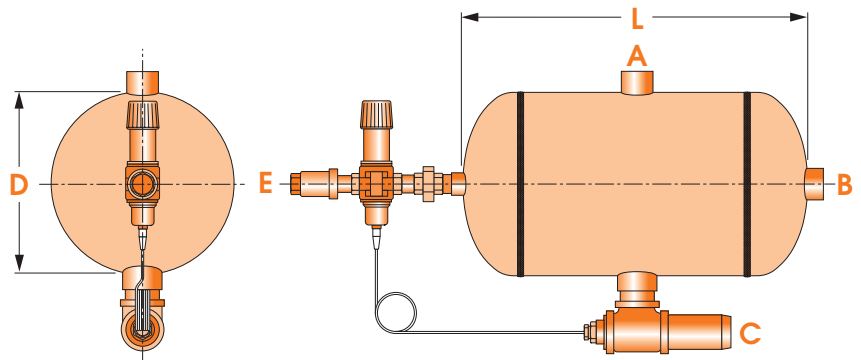
Dimensional Drawings

Model	D	L	A Vent	B Blow Off	C Drain	E Cold Water (Valve)	Weight
TAC-4	4"	10"	3/4"	3/4"	1-1/4"	1/2"	40 lbs
TAC-6	6"	12"	1-1/2"	1-1/2"	1-1/2"	3/4"	45 lbs
TAC-10	10"	24"	1-1/2"	1-1/2"	2"	1"	50 lbs
TAC-12	12"	24"	2"	2"	2-1/2"	1"	60 lbs

Vertical Tank Arrangement



Horizontal Tank Arrangement



©2019 Cemline Corporation All Rights Reserved.

All trademarks on this brochure are the property of Cemline Corporation, unless otherwise noted or in any other way set forth as a third party rights. Unauthorized use of these trademarks, as well as the materials presented on this site, is expressly prohibited and constitutes a violation of the intellectual property rights of Cemline Corporation.

Vol. 1.0



Scan to view our mobile web link.

CEMLINE CORPORATION

P.O. BOX 55 CHESWICK, PENNSYLVANIA 15024
Phone: (724) 274-5430 FAX: (724) 274-5448

www.cemline.com