


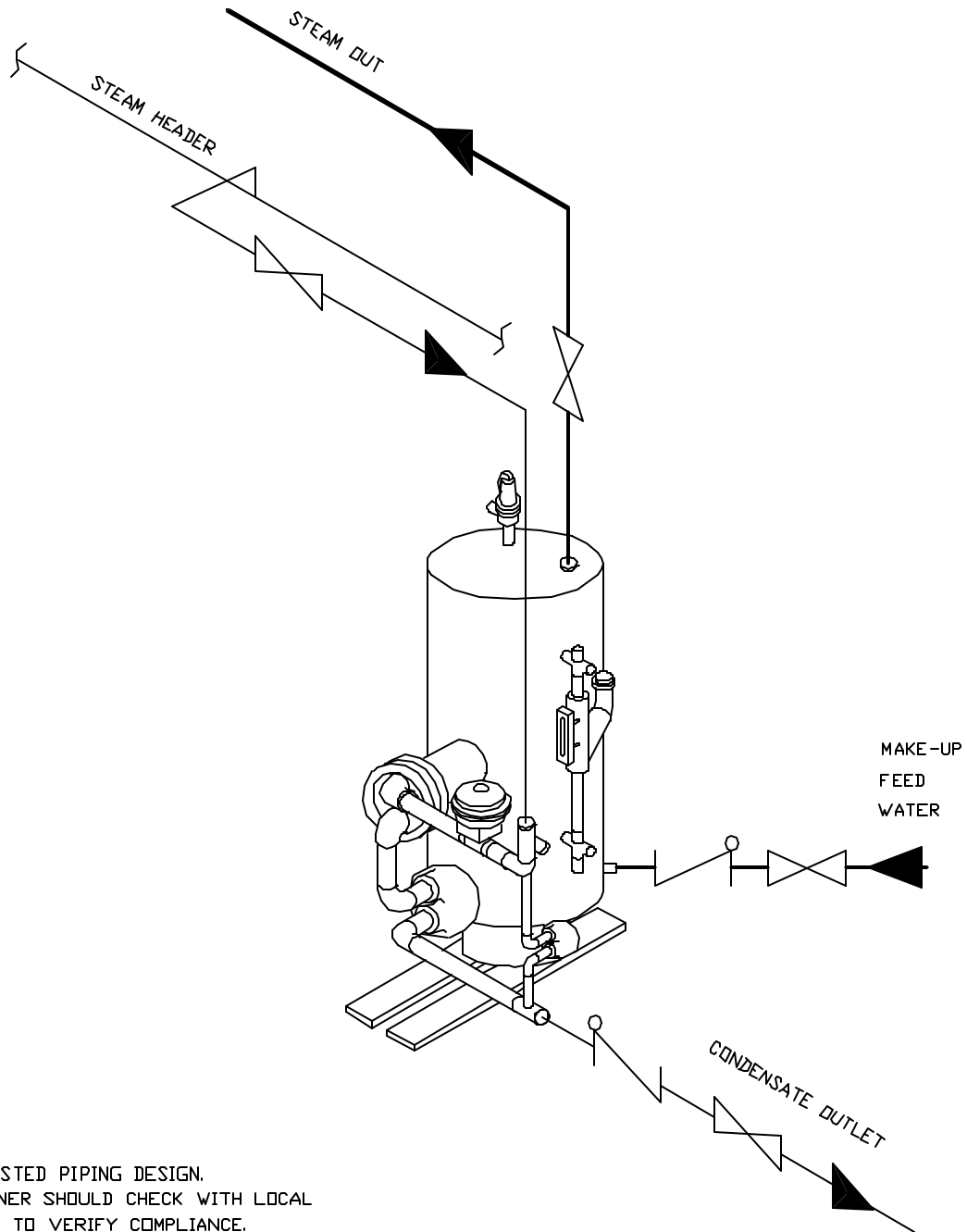




USG SERIES  
UNFIRED STEAM GENERATOR  
STEAM AS ENERGY SOURCE

	STOP VALVE
	CHECK VALVE
	CIRCULATOR



NOTE: SUGGESTED PIPING DESIGN.  
DESIGNER SHOULD CHECK WITH LOCAL  
CODES TO VERIFY COMPLIANCE.